



## IFTSA Food Science and Technology College Bowl Competition

### RULES AND GUIDELINES

The objectives of this competition are to facilitate interaction among students from different universities, to stimulate student's desires to accumulate and retain knowledge, and to provide a forum for universities to engage in friendly competition – in other words – to have a good time.

#### I. SCHEDULE

- A. The Student Association of the Institute of Food Technologists (IFT) will conduct the competition from September 1 to the IFT Annual Meeting (usually in June/July).
- B. Area Competitions will be conducted during the competition time frame as determined by the Area Representative. Conflicts with scheduling of the Area Competition will be resolved by the Chair of the competition.
- C. The competition finals to determine the National Champion will be conducted at the IFT Annual Meeting (usually in June/July).
- D. If an Area Competition cannot be held, the Area Representative, in consultation with the Chair of the competition, will select the Area's Representative to the competition.

#### II. ELIGIBILITY

- A. Each team must be from a Student Chapter of the IFT. Food Science Clubs applying for Chapter Status are eligible to compete.
- B. Each contestant must be a member of the Student Association of IFT, and be registered as a student at the university he or she is representing during the Fall semester prior to the competition (If participating in the finals at the Annual Meeting, the student need not be currently enrolled).
- C. The classification of each student (undergraduate or graduate) will be determined by his or her status during the Fall semester.
- D. All members of the Institute championship team will be ineligible to compete on future teams. Therefore, a competing contestant can win only one College Bowl Competition.
- E. The College Bowl Competition Chair is ineligible to compete on current and future College Bowl teams. The Area Representative is ineligible to compete on the current College Bowl team.
- F. Each team must submit 25 new questions to the College Bowl question pool. Questions will be submitted in electronic format to the Area Representative by **January 31<sup>st</sup>**. Questions shall be written in the style of past competitions, either marked as toss up or bonus, and fall within the categories of Section IV below. Teams may not use questions they submitted in previous years.
- G. Each year the College Bowl chair will release a list of categories that are currently lacking in order to help even out the types of questions submitted to the question bank. Please try to create questions in these areas.



- H. Prior to competing in the National College Bowl Competition, all participating team members must read and sign the Acknowledgement of the Rules, thereby accepting and being held responsible for the official rules during game play. Failure in following the rules may lead to disqualification of the whole team.

### III. EQUIPMENT

- A. **Game Panels:** An appropriate device, buzzer, bell and/or light, etc. will be used to determine the first contestant to respond to a question.
- B. **Scoring Device:** Scores will be recorded on an electronic display. It should be visible to everyone concerned.

### IV. QUESTIONS

- A. All Student Association Officers are charged with the responsibility for developing questions. Likely sources of questions are:
  - 1. Department Heads and/or professors of approved programs
  - 2. IFT Divisions leaders
  - 3. Any knowledgeable IFT member of your acquaintance such as one of your Regional Section Officers.
- B. Questions will be categorized according to the following categories:
  - 1. Food Analysis and Quality Assurance
  - 2. Food Chemistry
  - 3. Food Laws & Regulations
  - 4. Food Microbiology
  - 5. Nutrition
  - 6. Food Packaging
  - 7. Food Processing
  - 8. IFT Knowledge
  - 9. Food History and Trivia
  - 10. Biotechnology
  - 11. Carbohydrate
  - 12. Food Engineering
  - 13. Foodservice
  - 14. Sensory Evaluation
  - 15. Toxicology & Safety Evaluation
  - 16. Dairy Products
  - 17. Cereal and Grain Products
  - 18. Fruit and Vegetable Products
  - 19. Meat, Fish, Poultry and Egg Products
  - 20. Beverages, Beer, Wine, and Alcohol

Questions will also be classified as toss-up or bonus questions.

Classification of the questions will be left to the discretion of the Chair of the competition.

- C. Multiple-choice questions, like other toss-up questions, may be answered at anytime while the question is being read. Participants may respond with the letter of the answer or the actual answer. If a participant wishes to venture a



- guess before all of the answers are read the judges will determine the correctness of the answer.
- D. As mentioned previously, each year the Chair will submit a list of categories in which questions are most needed. Please submit questions in these areas.
  - E. All questions will be reviewed by an expert panel prior to use in competition.
  - F. Twenty questions will be randomly selected from the entire question bank and placed into game packets by the Chair of the competition. There will be no true/false or yes/no questions. Every fifth question will be a bonus question. All will be read in order by the moderator. In addition, several substitute questions will be placed in the game packet in case a question is thrown out.

## V. OFFICIALS

- A. **Eligibility:** Faculty who serve as a coach for their school's College Bowl team will be ineligible to act as an official at Area or National College Bowl Competitions, or to act as a reviewer of questions.
- B. **Moderator:** The IFT President may be invited to serve as moderator at the finals. The moderator will be responsible for running the contest. He or she will ask the questions and designate contestants to answer; the moderator may not challenge an answer. The contestants or one of the judges in which case the moderator will immediately refer the matter to the judges for a ruling. It is recommended that the moderator be selected from academia. Moderators may be selected from schools in the area in which the meeting is occurring. It is also the responsibility of the moderator to ensure that no filming, taping, or writing down of questions occurs during the competition.
- C. **Judges:** There shall be three judges. They must be knowledgeable in Food Science and may be university faculty as long as they are not from a university having a team in the competition, or may be a qualified representative from industry or a regulatory agency. The decision of judges on all challenges shall be final. One of the judges will be selected as and "Overviewer" and will be responsible for taking notes on question quality and accuracy. These notes will be collected by the College Bowl Chair, and changes will be made to the question database.
- D. **Score Keeper:** The score keeper will keep track of points awarded or subtracted on the scoring device noted in III.B. The Competition Chair will appoint the score keeper. Challenges of the score-keeper's accuracy will be referred to the judges, whose ruling will be final.
- E. **Time Keeper:** The time keeper will be appointed by the Competition Chair. The time keeper will keep track of the time between the final reading of the questions (up to two readings) and the initiation of the team's answer by the team captain. The time keeper will also keep track of the time elapsed between the contestant's buzz and the initiation of his/her answer (for toss-up questions) as stated in Section VI.B.4. and VI.B.5. Challenges to the time keeper's accuracy will be referred to the judges, whose ruling will be final.



## VI. TEAMS

- A. Each team will consist of up to four members and two alternates.
- B. One member shall be elected team captain and retain that position throughout the competition.
- C. No more than two of the competing team members may be graduate students.
- D. The alternate will not be seated at the panel, nor will he or she participate during the round unless the moderator deems it impossible for one of the team members to continue.
- E. The team captain may substitute the alternate for a team member before the round begins. The team captain may not substitute an alternate for himself or herself at any point during the competition.
- F. In the event the team captain is unable to continue play due to illness or any other serious incident, the alternate may be seated and the team may select a new captain.
- G. An alternate, if not used as a competing member of the national championship team, will be eligible for future competition.
- H. Individuals who did not compete in the Area Competition may compete on a team in the National Competition.

## VII. PROCEDURE OF PLAY DURING THE NATIONAL COMPETITION

### A. Order of Team Play

- 1. Teams will be selected by a lottery into brackets. A double elimination bracket design (see Section IX) will be followed throughout the competition.
- 2. A preliminary competition will take place prior to the IFTSA Welcome Assembly. The preliminary competition will consist of matches 1-6 from the double elimination diagram in section IX. These matches will be closed to the public and will be used to determine which teams will be placed in the winning and losing brackets for final competition play following the IFTSA Welcome Assembly. An identical 20-question set will be used in matches 1-4 and 5-6. Only *competing* members of teams, judges, scorekeeper, timekeeper, moderator, IFT staff, venue staff, and College Bowl Chair will be allowed in the preliminary competition room.
- 3. All subsequent matches will use a different 20-question set. These final matches (matches #4 to #11) will take place following the IFTSA Welcome Assembly and the general public will be invited.
- 4. After the completion of each match, the winning and losing teams will be placed into their appropriate new bracket spots following the double elimination diagram.
- 5. Teams will compete until they have been defeated twice (double elimination) and a champion is declared.



## B. Starting the Match

1. Teams will be assembled and seated at their respective panels. Before play begins for each match, the team captain shall declare himself/herself to the moderator.
2. The audience will be asked by the moderator to refrain from filming, taping or writing down any questions asked during the competition.
3. The question packet will be opened by the moderator and at his/her signal, the match will begin.
4. The moderator will read each question until a contestant activates the device described in Section III.A.
  - a. The contestant has five (5) seconds to initiate an answer.
  - b. If the answer is correct, his/her team will be credited four (4) points.
  - c. If the answer is incorrect, his/her team will be penalized two (2) points, and the opposing team will be given five seconds to initiate an answer upon a rereading of the question. If the answer given by the opposing team is incorrect, that team will also be penalized two (2) points.
  - d. If an attempt to answer a question is not made within five (5) seconds after the moderator has finished reading the question, the answer will be read; if applicable, the bonus question will be delayed until a question has been correctly answered.
5. Every fourth question, if answered correctly, will have a four point bonus question attached; otherwise, the bonus will be delayed until a question is answered correctly. If a situation arises where two bonus questions are back to back, the second bonus question will be delayed until at least one question is answered correctly after the first bonus question. [Example: Question #4 is answered incorrectly. Question #5, the 1st bonus question, will be delayed till the next question is answered correctly. Question #6, #7, and #8 are also answered incorrectly. Question #9 is answered correctly, so the first bonus question, question #5, is attached to question #9. Question #10, the 2nd bonus question, will be delayed and attached to the next correctly answered question. Question #11 is answered correctly, so the second bonus question #10, will be attached to it. In the event that question #19, before the final bonus question #20, is answered incorrectly, further questions will be asked until a team answers one question correctly. This team will then get the opportunity to answer the final bonus question, #20. Thus, it is possible that more than 20 questions will be read in a match.]
  - a. Scoring of the bonus will be all or nothing – i.e. four (4) points or zero (0) points.
  - b. Conferring among team members will only be permitted on bonus questions, and team members may use pencil and paper to calculate answers. Conferring among team members is not allowed on toss-up questions.
  - c. Team members will not be allowed to use calculators.



- d. An answer must be initiated by the team captain no later than immediately after "time" is called. "Time" will be called fifteen (15) seconds after the question is read, meaning fifteen (15) seconds after the second reading of the question if the moderator deems it necessary to read the question twice.
  - e. Incorrect answers will not be penalized; however, on multiple-answer questions all parts must be answered: there is no partial credit.
  - f. Bonus questions not answered, or answered incorrectly, are NOT referred to the opposing team.
6. A team captain or the moderator may call "timeout" for clarification of a rule or question, or to allow for an unexpected complication.

### **C. Completing the Match**

1. The moderator will ask question until the packet is completed.
2. At the end of the match, the team with the highest score will be declared the winner.
3. If a tie results, a tie-breaker set of three (3) questions will be asked and a winner declared, unless there is still a tie, in which case additional tiebreaker sets will be asked until one team is the winner.
4. Once a winner has been declared by the moderator, protests or challenges will not be considered.

### **D. Challenge of Questions and/or Answers**

1. Any challenges of questions or answers must be made by the team captain only at the time a particular incident occurs. The judges will consider the challenge; their decision will be final.
2. Any judge may also challenge a question or answer. The moderator may
3. If a challenge of a question is sustained, the question will be discarded. No loss or gain of points will result.
4. Judges may use electronic devices to verify answers.



Appeal Process:

---

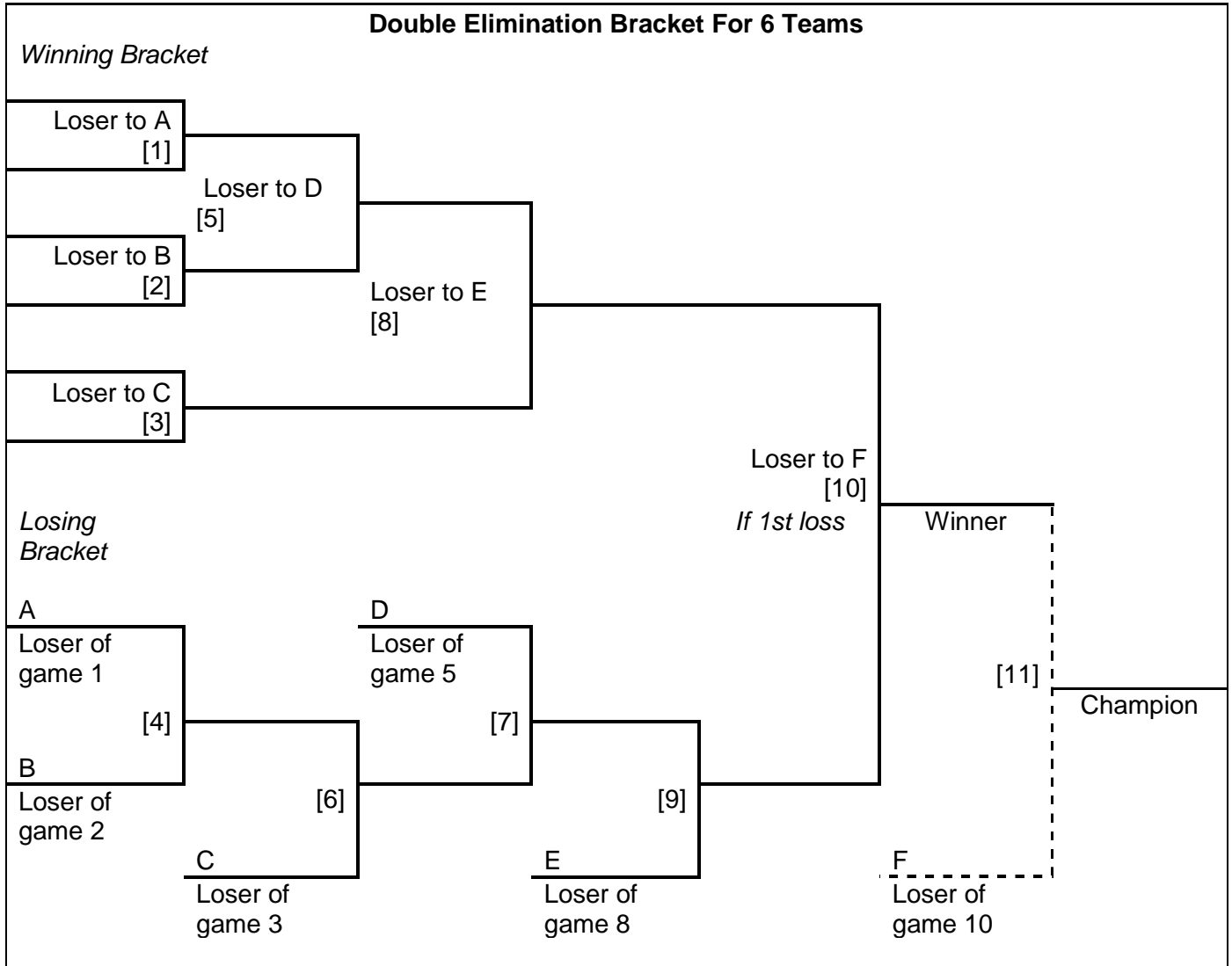
An appeal process should be put into place for any rule infractions that may occur during **any** of the IFTSA competitions, which is as follows:

Once a rule infraction is found, the Competition Chair will be allowed to present a report to the judges, and the team captain/contestant will be allowed to defend their actions to the judges in a sufficient amount of time. The judges will then be left alone to make the decision as to the fault, and if guilty, the severity of penalty, if any. After the decision is made, they will notify both the Chair and the team captain. The judges' decision will be final.

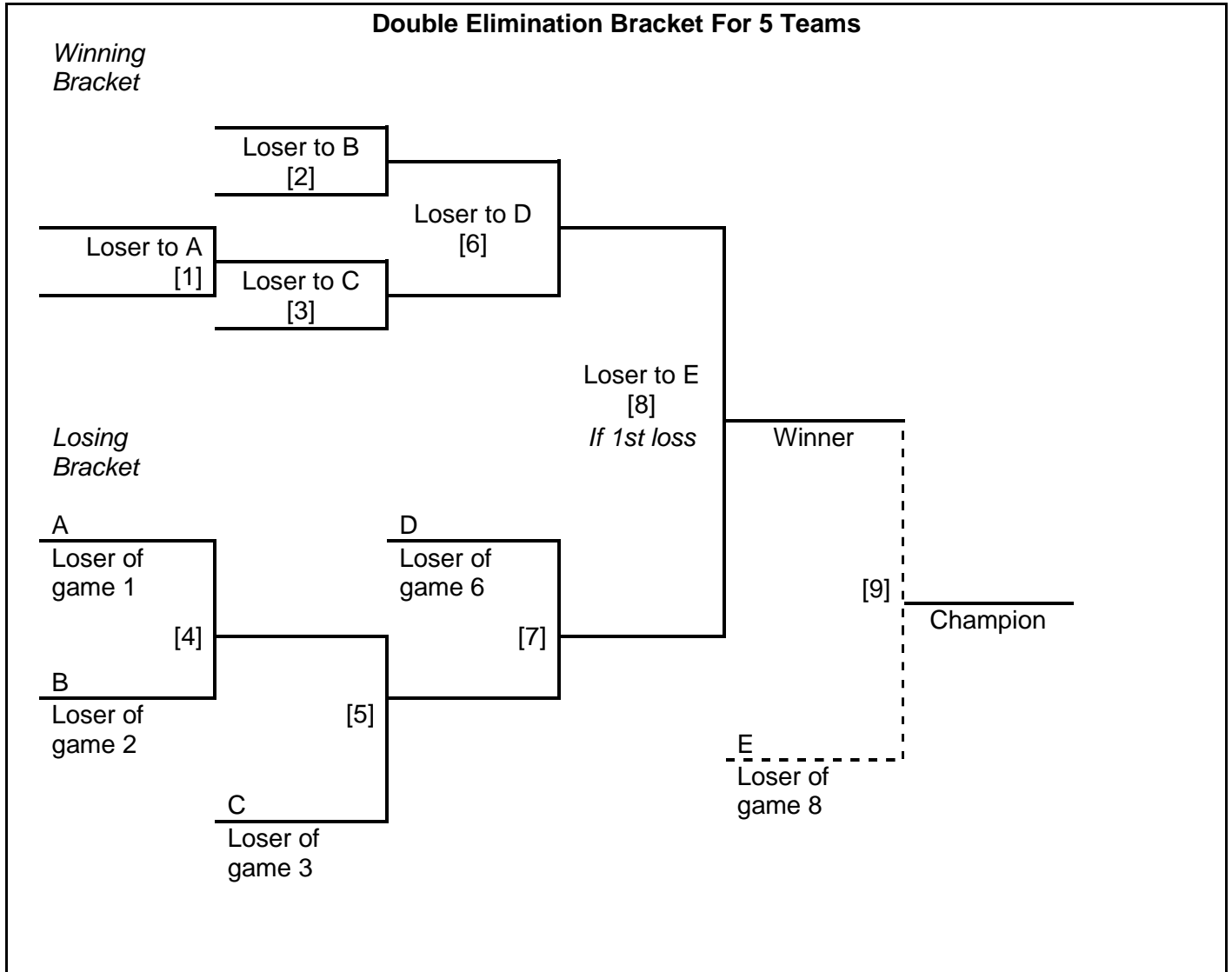
### VIII. COMPETITION COORDINATION

- A. The winning team at the IFT Annual Meeting will be declared the Intercollegiate Food Science and Technology College Bowl National Champion and will receive all awards and honors associated with the title.
- B. The enforcement and review of these Rules and Guidelines will be the responsibility of the IFT Student Association Board, with the Chair of the competition acting as coordinator.
- C. Changes in these Rules and Guidelines may be made by the IFT Student Association Board. These Rules and Guidelines should be reviewed annually, and the appropriate revisions, if any, made.

### IX. DOUBLE ELIMINATION EXAMPLE BRACKETS



[#] Indicates match number and order of play



[#] Indicates match number and order of play

